

A

A

B

B

C

C

D

D

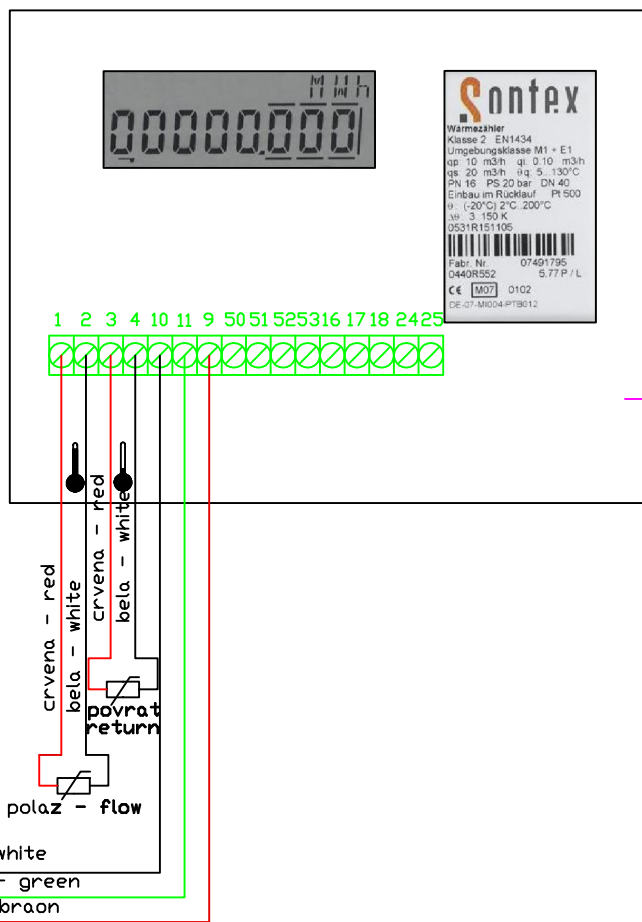
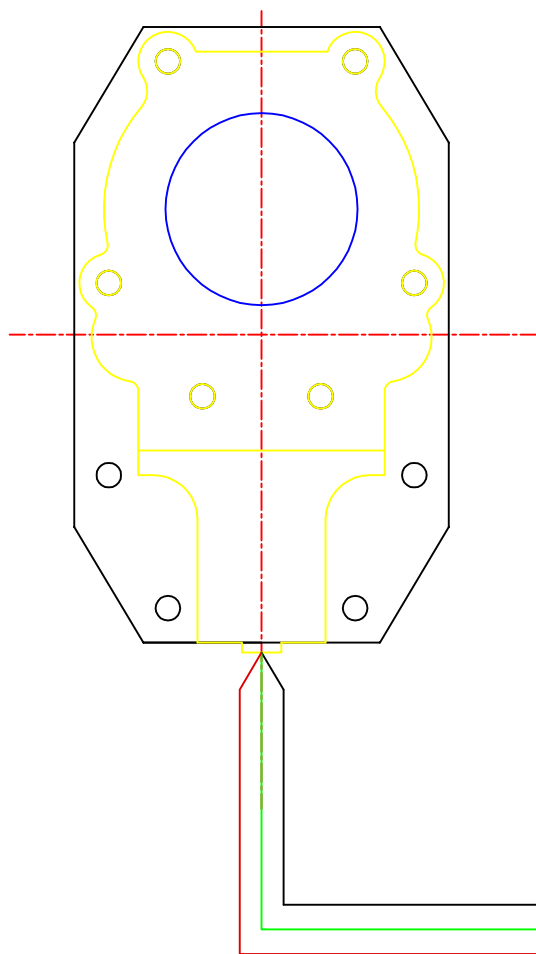
E

E

F

F

Superstatic
440



Itemref	Quantity	Title/Name, designation, material, dimension etc			Article No./Reference	
Designed by IDJ	Checked by XXX	Approved by - date 08.02.2010	File name XXX	Date 08.02.2010	Scale	
EKO-TERM			Connection diagramm 440 - 531			

1

4